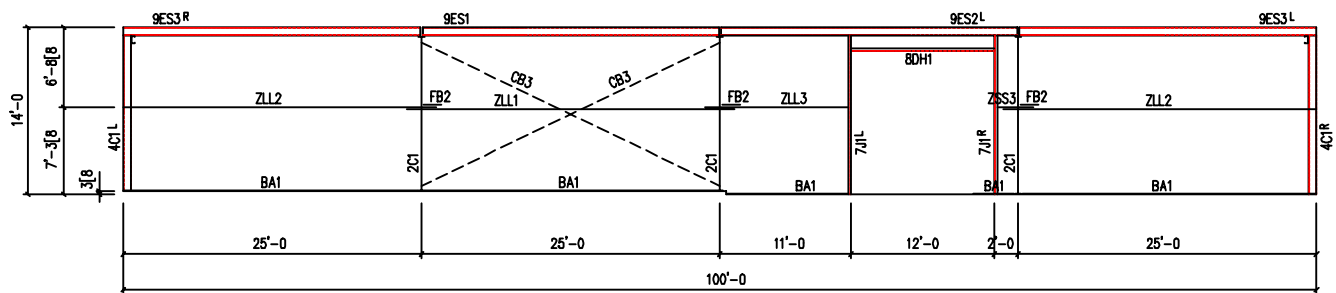


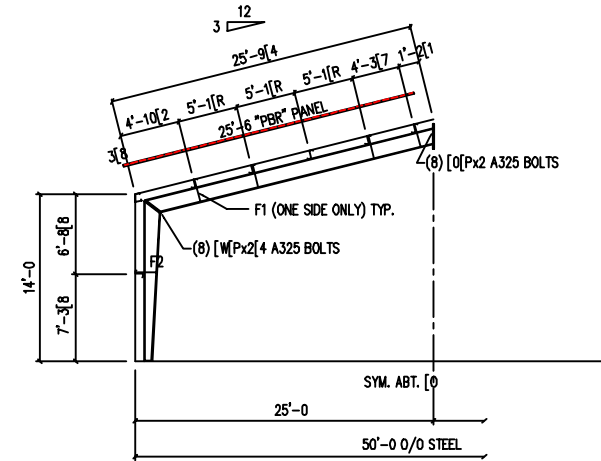
ROOF FRAMING PLAN



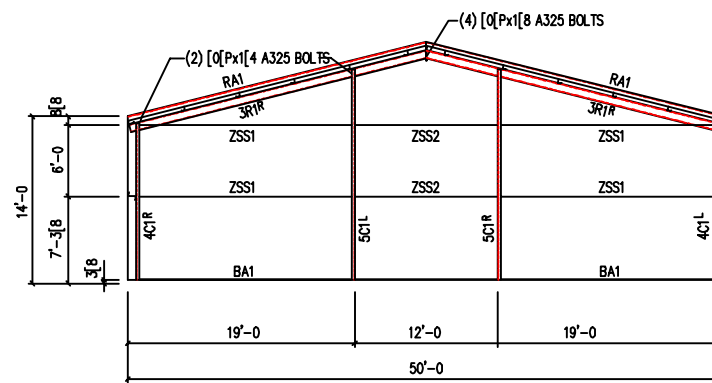
SIDEWALL FRAMING @ COL. LINE "A" (AS SHN.)
 SIDEWALL FRAMING @ COL. LINE "B" (OPP. HND.)

ACCESSORIES

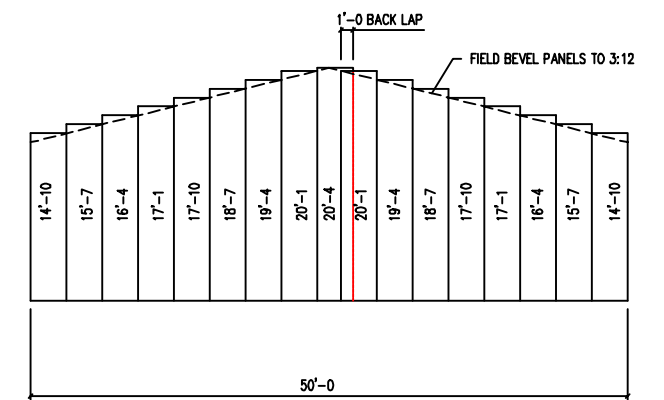
- (3) 12'-0" x 12'-0" FRAMED OPENINGS
- (3) 3070 WALK DOORS (FIELD LOCATE)
- (4) 3'-0" x 10'-8" SKYLIGHTS (FIELD LOCATE)
- ROOF: 26[S GALVALUME "PBR"
- WALLS: 26[S RUSTIC RED "PBR"
- GUTTER, DOWNSPOUTS & TRIM: 26[S COLOR



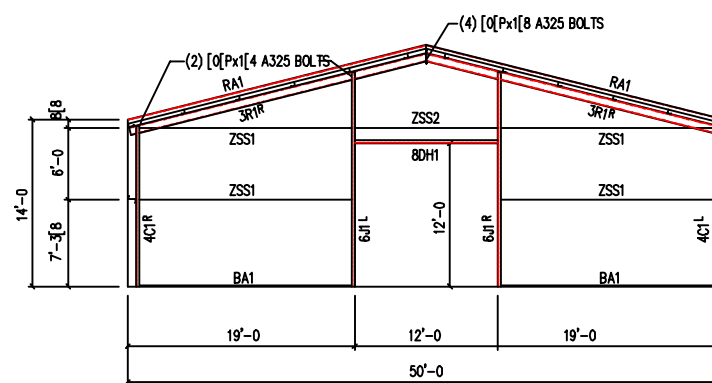
CROSS SECTION



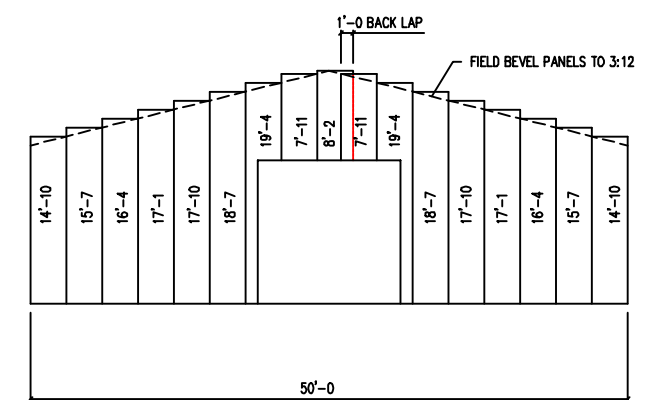
ENDWALL FRAMING @ COL. LINE "1"



ENDWALL SHEETING @ COL. LINE "1"



ENDWALL FRAMING @ COL. LINE "5"



ENDWALL SHEETING @ COL. LINE "5"

DISCOUNT DOORS & METAL								
BRENNHAM TEXAS								
DESCRIPTION		ERECTION DRAWING						
SIZE		50'-0" x 100'-0" x 14'-0" E.H. (3:12)						
CUSTOMER								
LOCATION		CAD BY			ALP		SHEET NO.	
DRN. BY	CK'D BY	DATE	SCALE	QUOTE NO.	JOB NO.	SHEET NO.	ISSUE	
ALP		5-17-05	NONE			E1	0	